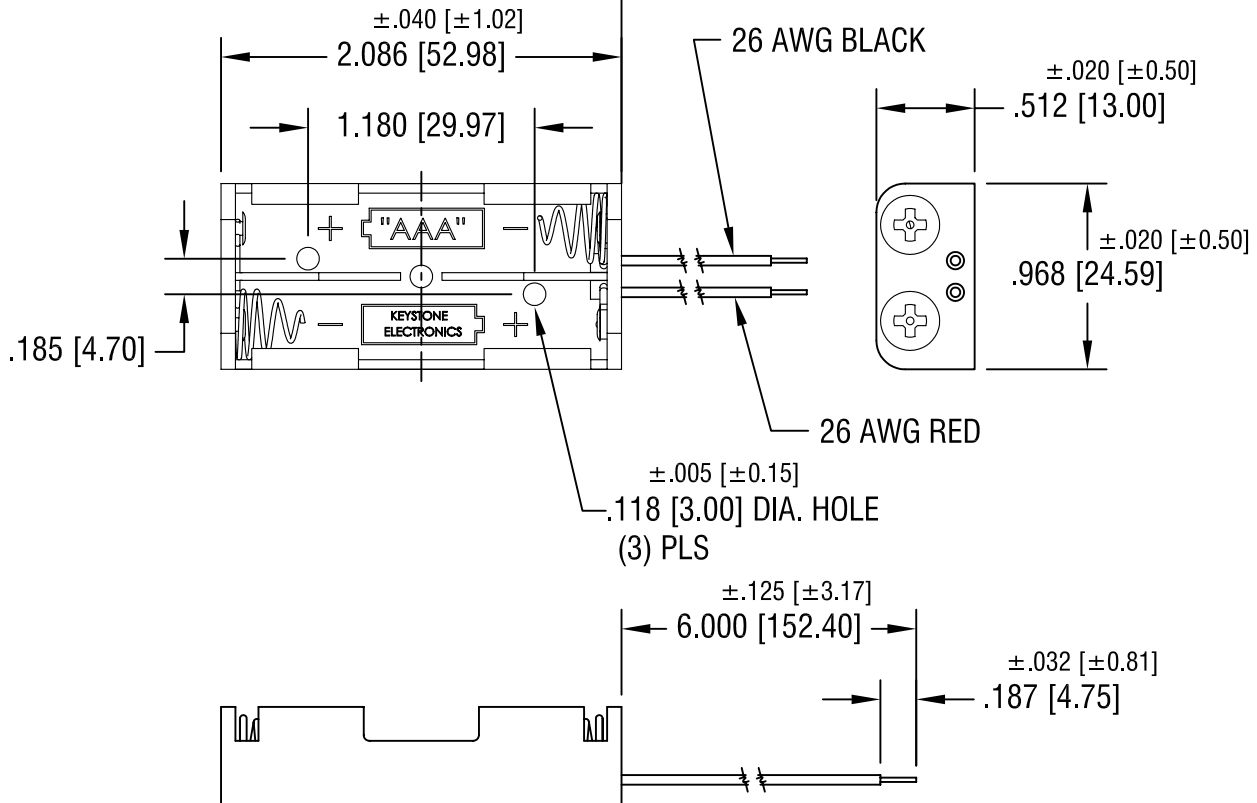
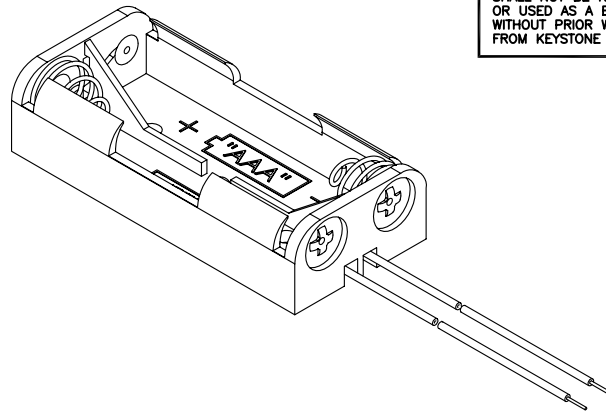
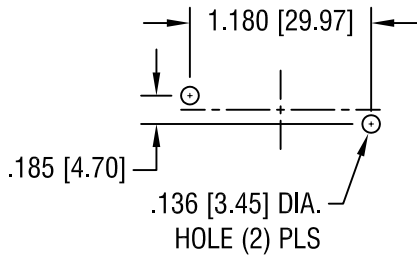


THIS DOCUMENT IS THE PROPERTY OF
KEYSTONE ELECTRONICS CORP. AND
SHALL NOT BE REPRODUCED, DISTRIBUTED
OR USED AS A BASIS FOR MANUFACTURE
WITHOUT PRIOR WRITTEN PERMISSION
FROM KEYSTONE ELECTRONICS CORP.

MOUNTING DETAIL



NOTE:

- 1. HOLDER: MAT'L: POLYPROPYLENE
- SPRING: MAT'L: MUSIC WIRE, .024 [0.60] DIA.
- FINISH: NICKEL PLATE

KEYSTONE ELECTRONICS CORP.

ASTORIA, N.Y. 11105-2017

PART NAME				BATTERY HOLDER (2) 'AAA'			
MATERIAL				AS NOTED			
FINISH		AS NOTED		DRN BY	BOONE	DATE	10.11.95
TOLERANCES		INCH	[MM]	APP'D	LN	SCALE	1X
DECIMAL		± .015	[± 0.38]	DWG NO.		2469	
ANGULAR		± 1°		C/M			
UNLESS OTHERWISE SPECIFIED							

9.13.08	CHANGE AS PER ECN 08-154	D
8.24.05	CHANGE AS PER ECN 05-060	C
DATE	DESCRIPTION	REV.