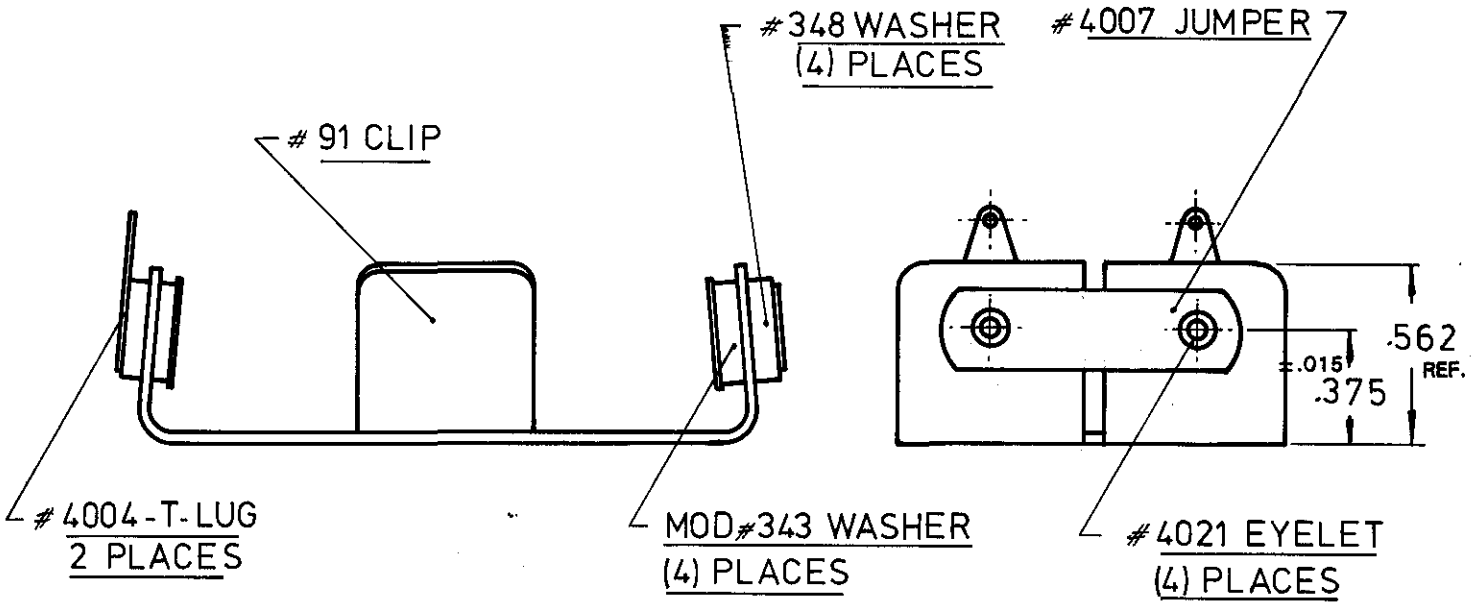
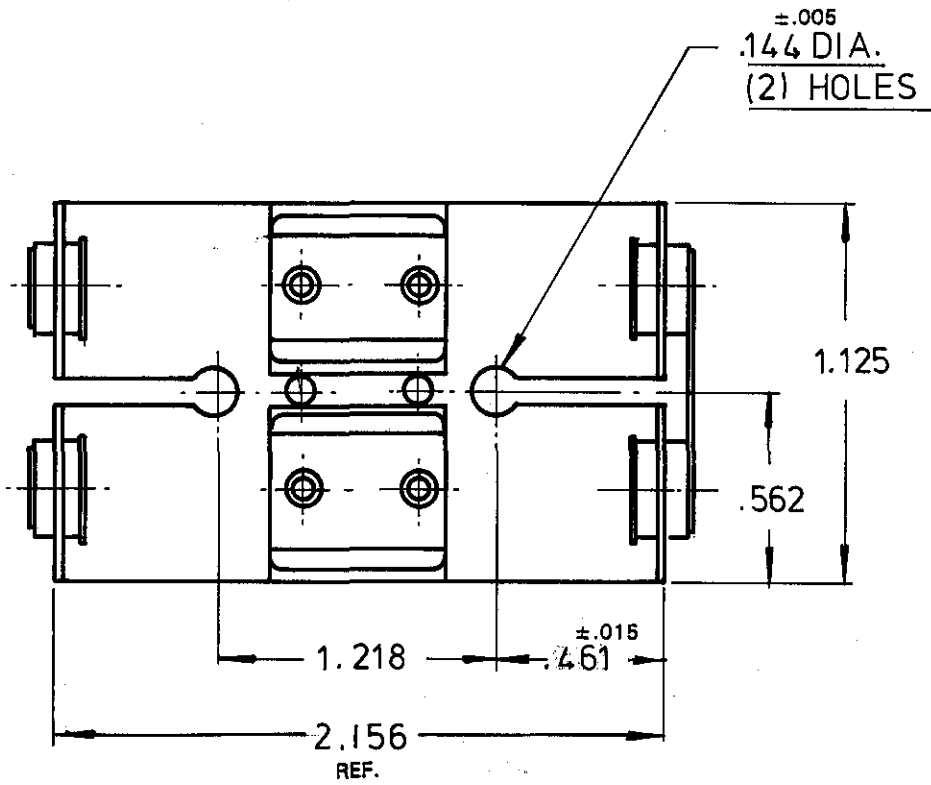


NO. 146
CODE
C/M



KEYSTONE ELECTRONICS CORP.			
ASTORIA, N.Y. 11105-2017			
PART NAME		BATTERY HOLDER	
MATERIAL		.032 TH'K 2024-T3 ALUM.	
FINISH	DRAWN BY	L.N.	DATE 12.17.81
	APPROVED		SCALE
TOLERANCES		DWG. NO.	
FRACTIONAL ± .015		146	
DECIMAL ± .010 ANGULAR ± 1/4°			
UNLESS OTHERWISE NOTED			

DATE	REVISION	ISSUE