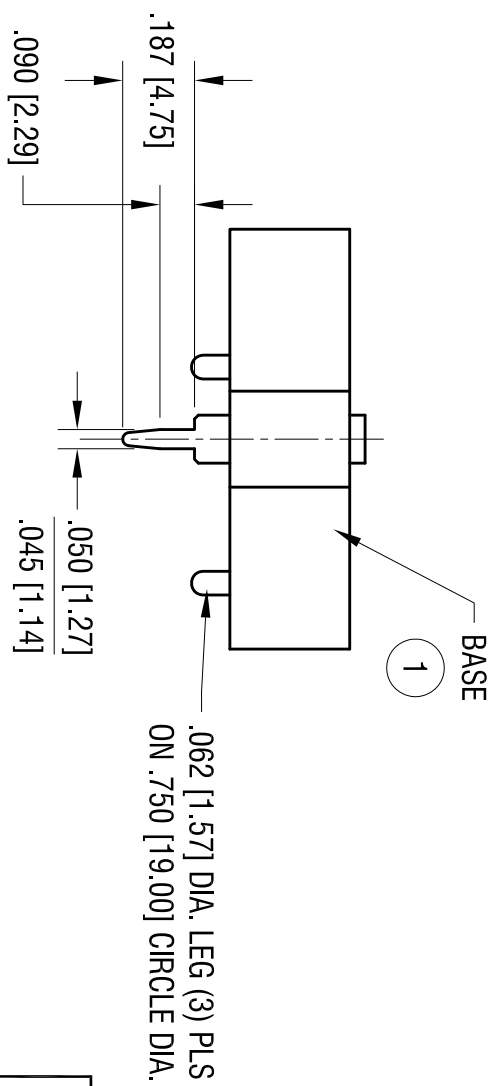
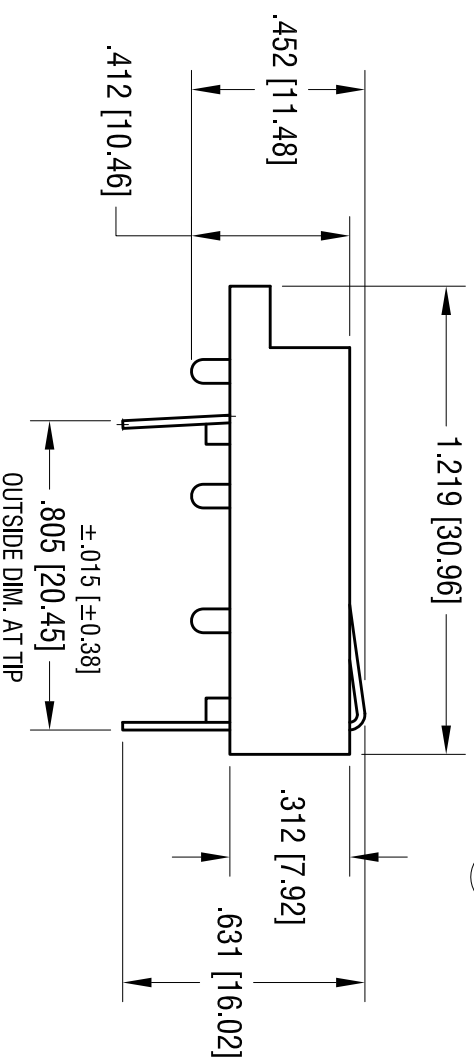
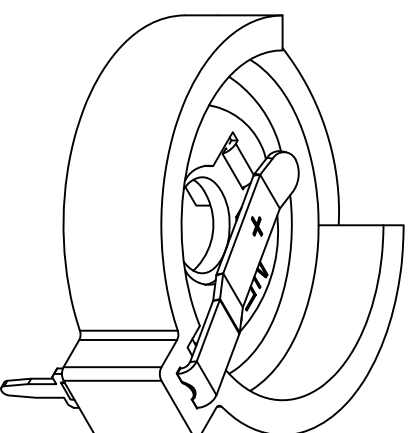
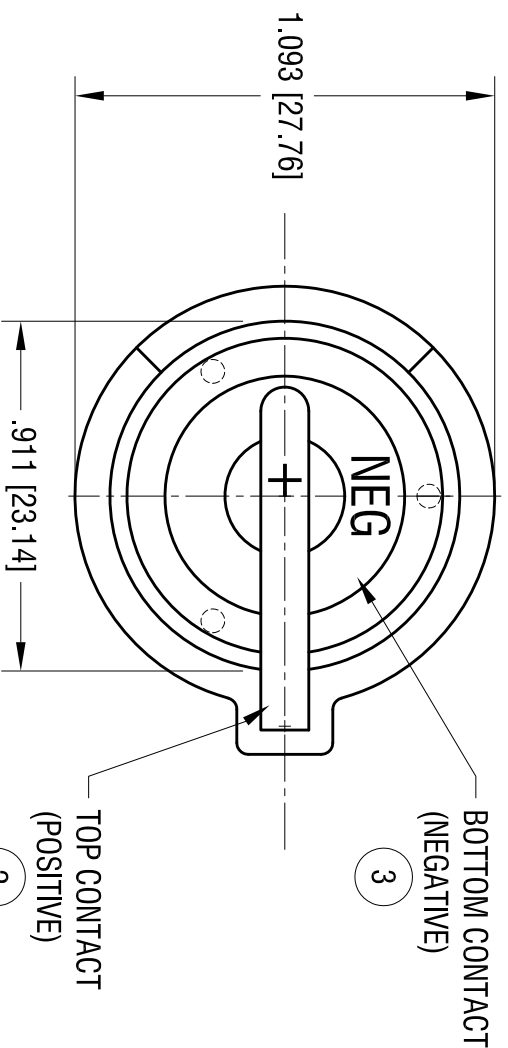


DATE	DESCRIPTION	REV.
9.20.04	CHANGE AS PER ECN 04-117	D
11.02.11	CHANGE AS PER ECN 11-145	E



THIS DOCUMENT IS THE PROPERTY OF KEYSTONE ELECTRONICS CORP. AND IS NOT TO BE REPRODUCED OR USED AS A BASIS FOR MANUFACTURE WITHOUT PRIOR WRITTEN PERMISSION FROM KEYSTONE ELECTRONICS CORP.

KEYSTONE ELECTRONICS CORP.
 www.keystec.com • ASTORIA, N.Y. 11105-2017 • Tel (718) 956-8900

PART NAME: DUAL BATTERY HOLDER

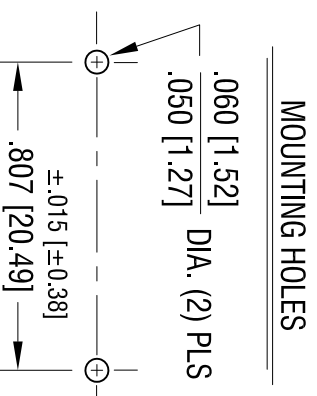
MATERIAL: AS NOTED

FINISH: AS NOTED

TOLERANCES: INCH [MM] CODE DWG. NO.
 DECIMAL ± .010 [± 0.25] C
 ANGULAR ± 1°

UNLESS OTHERWISE SPECIFIED

ITEM	DESCRIPTION	MATERIAL/FINISH
1	BASE BLACK	PBT (UL 94V-0)
2	TOP CONTACT	SPRING STEEL .020 [0.50] THK
3	BOTTOM CONTACT	TIN NICKEL PLATE



MOUNTING HOLES