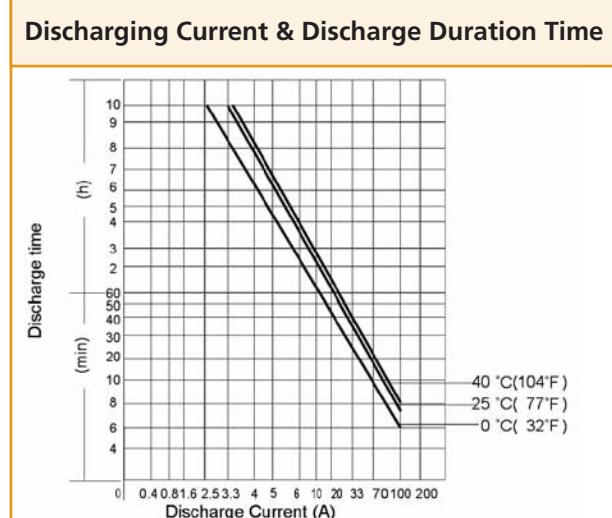
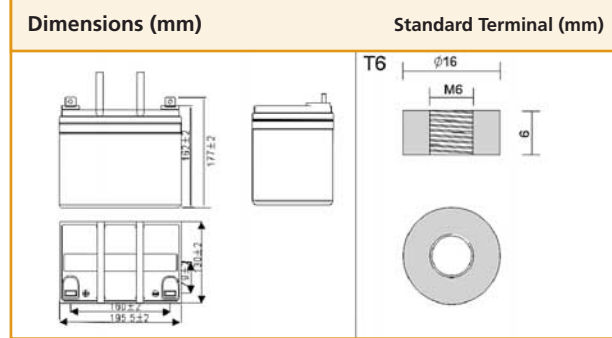


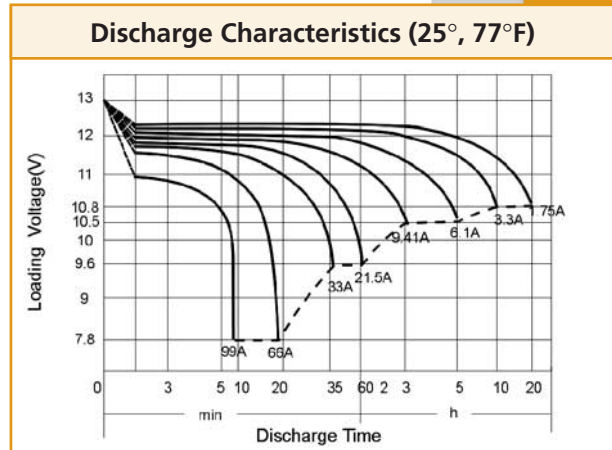


CT 33-12



Physical Specification		
Nominal Voltage	12V	
Nominal Capacity (20HR)	33AH	
Dimension	Length	195 ± 2mm (7.68 inches)
	Width	130 ± 2mm (5.12 inches)
	Container Height	155 ± 2mm (6.10 inches)
	Total Height (with Terminal)	180 ± 2mm (7.09 inches)
Weight	Approx 11.2kg (24.71lbs)	
Standard Terminal	T12	

Electrical Specification					
Rated Capacity	20 hour rate (1.75 A)	35 AH	Constant Voltage Charge	Cycle	Initial Charging Current less than 9.9A. Voltage 14.4V~15.0V at 25°C (77°F) Temp. Coefficient -30mV/°C
	10 hour rate (3.3 A)	33 AH			
	5 hour rate (6.1 A)	30.5AH			
	1 hour rate (21.45A)	21.45AH			
Capacity affected by Temperature	15minute rate (72A)	18 AH	Standby	No limit on Initial Charging Current Voltage 13.5V~13.8V at 25°C(77°F) Temp. Coefficient -20mV/°C	
	40°C (104°F)	103%			
	25°C (77°F)	100%			
0°C (32°F)	86%				



Constant Current (Amp) and Constant Power (Watt) Discharge Table (25°, 77°F)												
Time(minute) Final voltage	5	10	15	20	30	45	60	120	180	300	600	1200
Amp/Watt/Cell	1.3	1.3	1.3	1.3	1.6	1.6	1.67	1.7	1.75	1.75	1.75	1.8
A	161.70	99.00	72.00	56.76	41.25	29.70	21.45	12.87	9.41	6.10	3.30	1.75
W	273.90	188.43	140	11.54	81.51	59.07	42.57	25.74	18.48	12.21	6.60	3.53