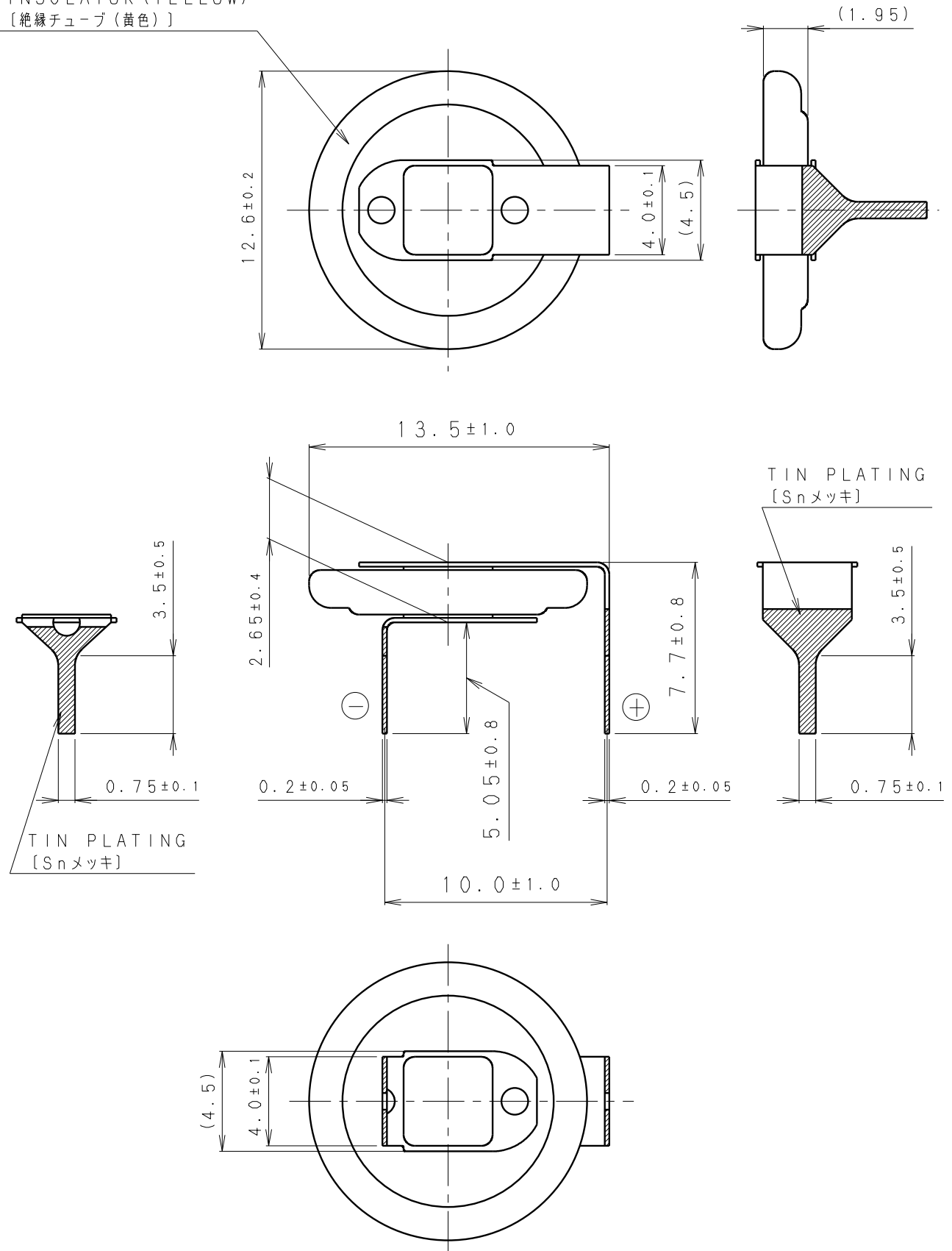

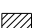
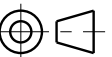


INSULATOR (YELLOW)  
 [絶縁チューブ (黄色)]



\* NOTE [注記]

- TAB PULLING STRENGTH OVER 19.6N  
 [端子溶接強度：19.6N以上]
- TAB MATERIAL: STAINLESS STEEL WITH TIN PLATING   
 [端子材料：基材 ステンレス/表面 部分Snメッキ 
- ( ) : REFERENCE DIMENSION AND ANGLE  
 [ ( ) 寸法、角度は参考値]

PRODUCT NO.	BR-1220/HFN	SCALE	
		4:1	
DRAWING NO.	JEHA1Z	REV.	
		0	