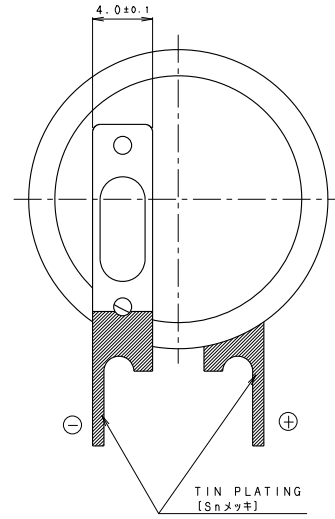
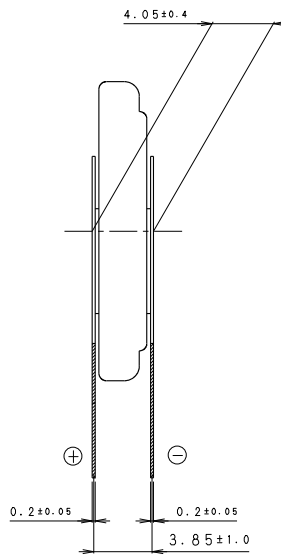
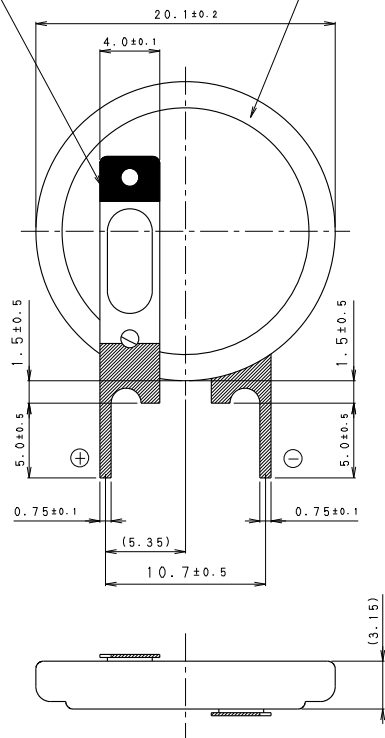


"+" TERMINAL INDICATION (RED)
 [(+) 陽性表示 (赤色)]

INSULATOR (YELLOW)
 [絶縁子(イエロー)]



* NOTE [注記]

1. TAB PULLING STRENGTH OVER 19.6N (端子引抜強度: 19.6N以上)
2. TAB MATERIAL: STAINLESS STEEL WITH TIN PLATING
 [端子材料: 基材 ステンレス/表面 部分Snメッキ]
3. (): REFERENCE DIMENSION AND ANGLE [() 寸法、角度は参考値]

PRODUCT NO.	BR-2032/VCN	SCALE	4:1
DRAWING NO.	PMVA1Z	REV.	0
		UNIT: mm	