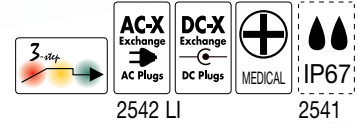


Chargers for Li-Ion batteries - switch mode

tech spec

2542 LI - exchangeable / utskiftbare AC plugs

- 3-step charge control with current detection as charge termination
- Universal input voltage (90-264 VAC)
- 3-colored LED indicator
- Order mains cord separately
- Custom specifications on request
- Approvals:
 - Medically certified EN60601 3ed
 - For updates: see www.mascot.no
- 3-trinns ladekontroll med strømdeleksjon som ladestopp
- Universal inngangsspenning (90-264 VAC)
- 3-farget lysdiodeindikator
- Nettledning best. separat
- Tilpasninger leveres på forespørsel
- Godkjenninger:
 - Medisinsk sertifisert EN 60601 3ed
 - For oppdat.: se www.mascot.no



2542 LI

2541

Technical specifications

Tekniske data

Input voltage:	Inngangsspenning:	90-264 VAC
Line Frequency:	Frekvensområde:	47 – 63Hz
Switch frequency, approx.:	Svitsjefrekvens ca.:	40 kHz
Leakage current from battery with mains switched off:	Strømtrekk fra batteri ved frakoblet nett:	<250µA
Temperature range	Temperaturområde	
• operating:	• drift:	-20 °C - +40 °C
• storage:	• lagring:	-25 °C - +85 °C
Ripple:	Rippel:	< 100 mV p-p
Protection:	Sikring:	Protected against reversed polarity and short circuit proof Polvendings- og kortslutningssikker
Insulation class:	Isolasjonsklasse:	II
Insulation voltage:	Isolasjonsspenning:	
Primary – secondary:	Primær - sekundær:	4000VAC / 5700VDC
Electrical safety:	Elektrisk sikkerhet:	IEC/EN/UL 60601-1, EN 60950-1, EN 60335-2-29
EMC standards	EMC standarder	
• Medical:	• Medisinsk:	EN 60601-1-2
• Emission:	• Emisjon:	EN 61000-6-3
• Immunity:	• Immunitet:	EN 61000-6-1
Input terminal:	Inngangsterminal:	2-pin IEC 320 connector
Output terminals:	Utgangsterminaler:	Cord w/wout plug / Sek.ljedn. m/u plugg
IP-code:	IP-grad:	41
Dimensions (LxWxH):	Mål (LxBxH):	107 × 67 × 36,5mm (2541 LI)
Weight:	Vekt:	250g

Versions / Versjoner			Charge control / Ladekontroll				
			Step 1 (orange)	Step 2a (orange)	Step 2b (yellow / gul)	Step 3 (green / grønn)	
Cells	Max output power (W)	Efficiency (100% at 230V)	Charge current	Charge voltage	To yellow when current is:	Charge termin. when current is:	Charge start Vbat<
Celler	Maks. utg. effekt	Virkningsgrad	Ladestrøm	Ladespenning	Til gul når strøm er:	Ladestopp når strøm er:	Ladestart Vbat<
1	12	63 %	2,7A ±0,1A	4,2V ±0,05V	< 1,15A ±0,1A	< 100mA +-25%	4,0V±0,1V
2	23	78 %	2,7A ±0,1A	8,4V ±0,1V	< 1,15A ±0,1A		8,0V±0,1V
3	29	83 %	2,3A ±0,1A	12,6V ±0,1V	< 1,00A ±0,1A		12,1V±0,1V
4	34	84 %	2,0A ±0,1A	16,8V ±0,1V	< 0,85A ±0,1A		16,2V±0,1V
5	34	85 %	1,6A ±0,1A	21V ±0,1V	< 0,70A ±0,1A		20,3V±0,1V
6	35	87 %	1,4A ±0,1A	25,2V ±0,1V	< 0,60A ±0,1A		24,4V±0,1V
7	35	87 %	1,2A ±0,1A	29,4V ±0,1V	< 0,50A ±0,1A		28,5V±0,1V
8	34	85 %	1,0A ±0,1A	33,6V ±0,1V	< 0,40A ±0,1A		32,6V±0,1V
10	35	85 %	0,8A ±0,1A	42,0V ±0,2V	< 0,35A ±0,1A		40,7V±0,4V
14	35	85 %	0,6A ±0,1A	58,8V ±0,3V	< 0,25A ±0,05A		57,1V±0,5V

Or mains turned on
Eller nettpåslag



Exchangeable AC plug models

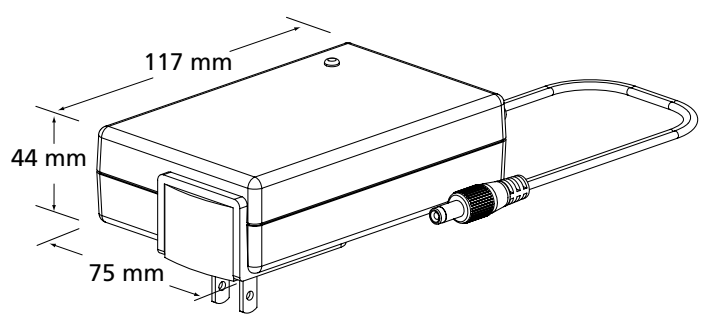
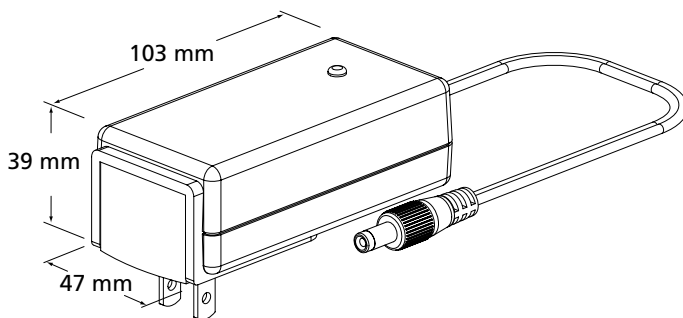
Modeller med utskiftbare AC plugger

Available as: / Tilgjengelig som:

Small housing / liten boks		
Base model / Grunnmodell		w exch. AC plug
Type	Description / Beskrivelse	Type
2121	AC/DC PSU, max 10W	2123
2124	AC/DC PSU, max 16W	2126
2115	NiMH battery charger, max 1,3A	2116
2240	Lead Acid batt. charger, max 1,3A	2241
2240 LI	Li-Ion batt. charger, max 1,3A	2241 LI
Additional housing weight (excl. plug/cord) +15 g Tilleggsvekt (uten plugg/ledning) +15 g		

Medium housing / medium boks		
Base model / Grunnmodell		w exch. AC plug
Type	Description / Beskrivelse	Type
9921	AC/DC PSU, max 40W	9926
2720	AC/DC PSU, max 40W	2721
2541	Lead Acid batt. charger, max 2,2A	2542
9940	Lead Acid batt. charger, max 2,3A	9941
2215	NiMH battery charger, max 35W	2216
9940 LI	Li-Ion batt. charger, max 2,3A	9941 LI
2541 LI	Li-Ion batt. charger, max 2,7A	2542 LI
Additional housing weight (excl. plug/cord) +27 g Tilleggsvekt (uten plugg/ledning) +27 g		

IEC 320 mains cord / nettleddning 1800mm EU part no. 131306,
UK part no. 131148, US part no. 131147, AU part no. 013108



EXCHANGEABLE AC PLUG ADAPTERS

EU plug	UK plug	US plug	AU plug
Part no. 018110	Part no. 018112	Part no. 018111	Part no. 018114
Weight: 21g	Weight: 30g	Weight: 14g	Weight: 28g
