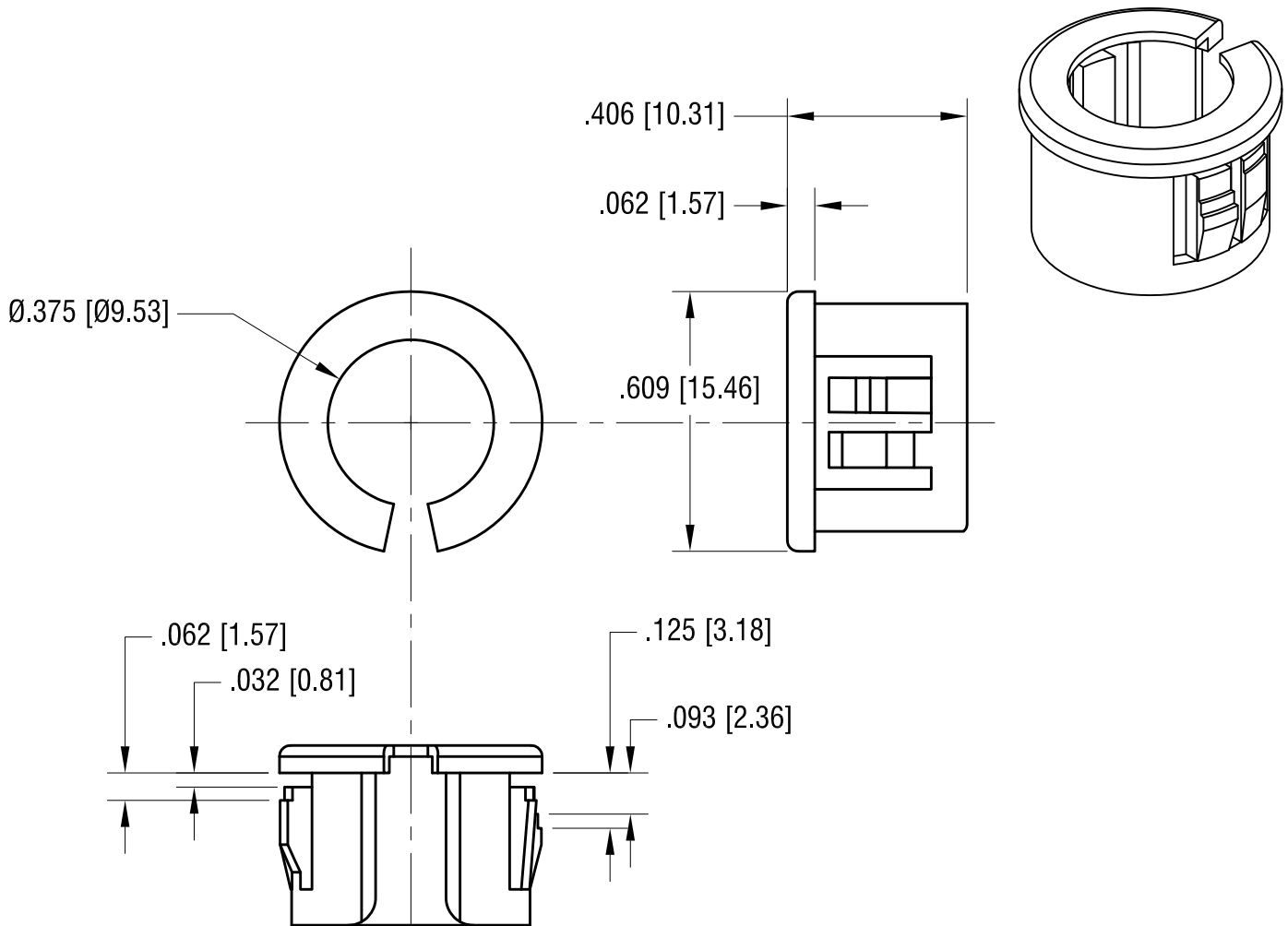


THIS DOCUMENT IS THE PROPERTY OF
KEYSTONE ELECTRONICS CORP. AND
SHALL NOT BE REPRODUCED, DISTRIBUTED
OR USED AS A BASIS FOR MANUFACTURE
WITHOUT PRIOR WRITTEN PERMISSION
FROM KEYSTONE ELECTRONICS CORP.



NOTE:
1. DESIGN FOR MOUNTING HOLE $.500$ [12.70] DIA.

| | | | |
|---|---------------------------|----------------------------|-----------------|
| KEYSTONE ELECTRONICS CORP. | | | |
| www.keyelco.com • ASTORIA, N.Y. 11105-2017 • Tel (718) 956-8900 | | | |
| PART NAME | | NYLON SPLIT BUSHING | |
| MATERIAL | | NYLON 6/6, BLACK UL 94V-2 | |
| FINISH | - | DRN BY BOONE | DATE 1.18.07 |
| | | APP'D LN | SCALE 2.5X |
| TOLERANCES | INCH [MM] | CODE | DWG NO. |
| DECIMAL | $\pm .015$ [± 0.38] | C/M | 8491 |
| ANGULAR | $\pm 1^\circ$ | UNLESS OTHERWISE SPECIFIED | |

| | | |
|----------|--------------------------|------|
| 11.01.11 | CHANGE AS PER ECN 11-141 | A |
| DATE | DESCRIPTION | REV. |