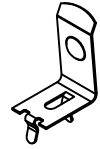
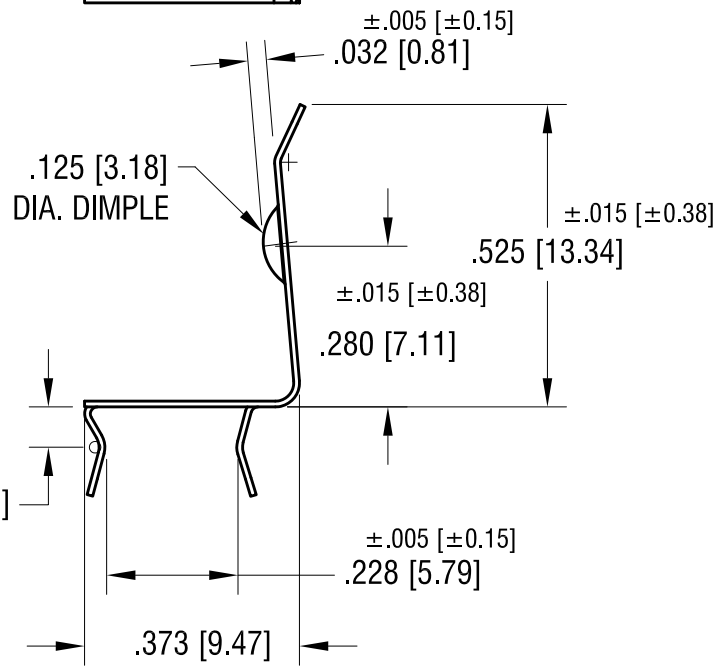
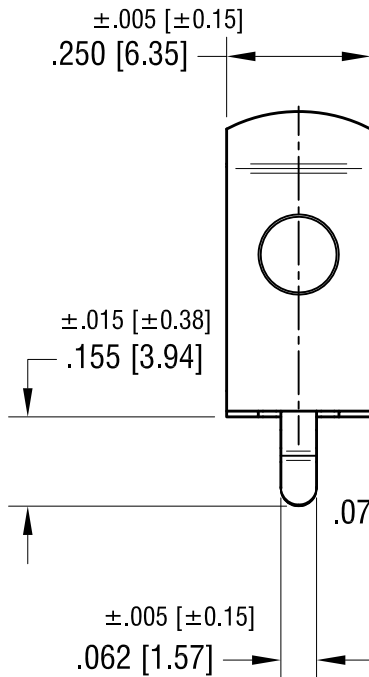
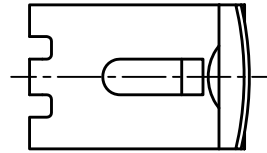
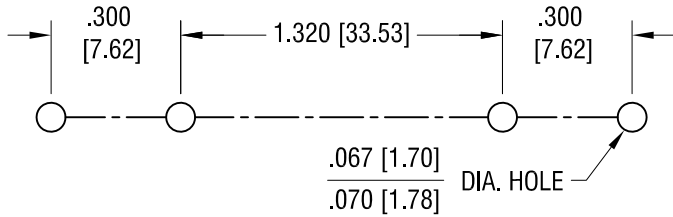


THIS DOCUMENT IS THE PROPERTY OF KEYSTONE ELECTRONICS CORP. AND SHALL NOT BE REPRODUCED, DISTRIBUTED OR USED AS A BASIS FOR MANUFACTURE WITHOUT PRIOR WRITTEN PERMISSION FROM KEYSTONE ELECTRONICS CORP.

ACTUAL SIZE



REQUIRED SPACING FOR 'AA' CLIP



NOTE:

- 1. HEAT TREAT TO SPRING TEMPER.

KEYSTONE ELECTRONICS CORP.

www.keyelco.com • ASTORIA, N.Y. 11105-2017 • Tel (718) 956-8900

PART NAME

'AA' & 'A' PC BATTERY CONTACT

MATERIAL

.010 [.25] TH'K ANNEALED SPRING STEEL

FINISH

TIN NICKEL PLATE

DRN BY BOONE

DATE 2.22.99

APP'D LN

SCALE 3X

TOLERANCES INCH [MM]
 DECIMAL ±.010 [±0.25]
 ANGULAR ± 1°
 UNLESS OTHERWISE SPECIFIED

CODE C

DWG NO.

52

6.28.13	CHANGE AS PER ECN13-052	E
6.19.06	CHANGE AS PER ECN 06-037	D
DATE	DESCRIPTION	REV.