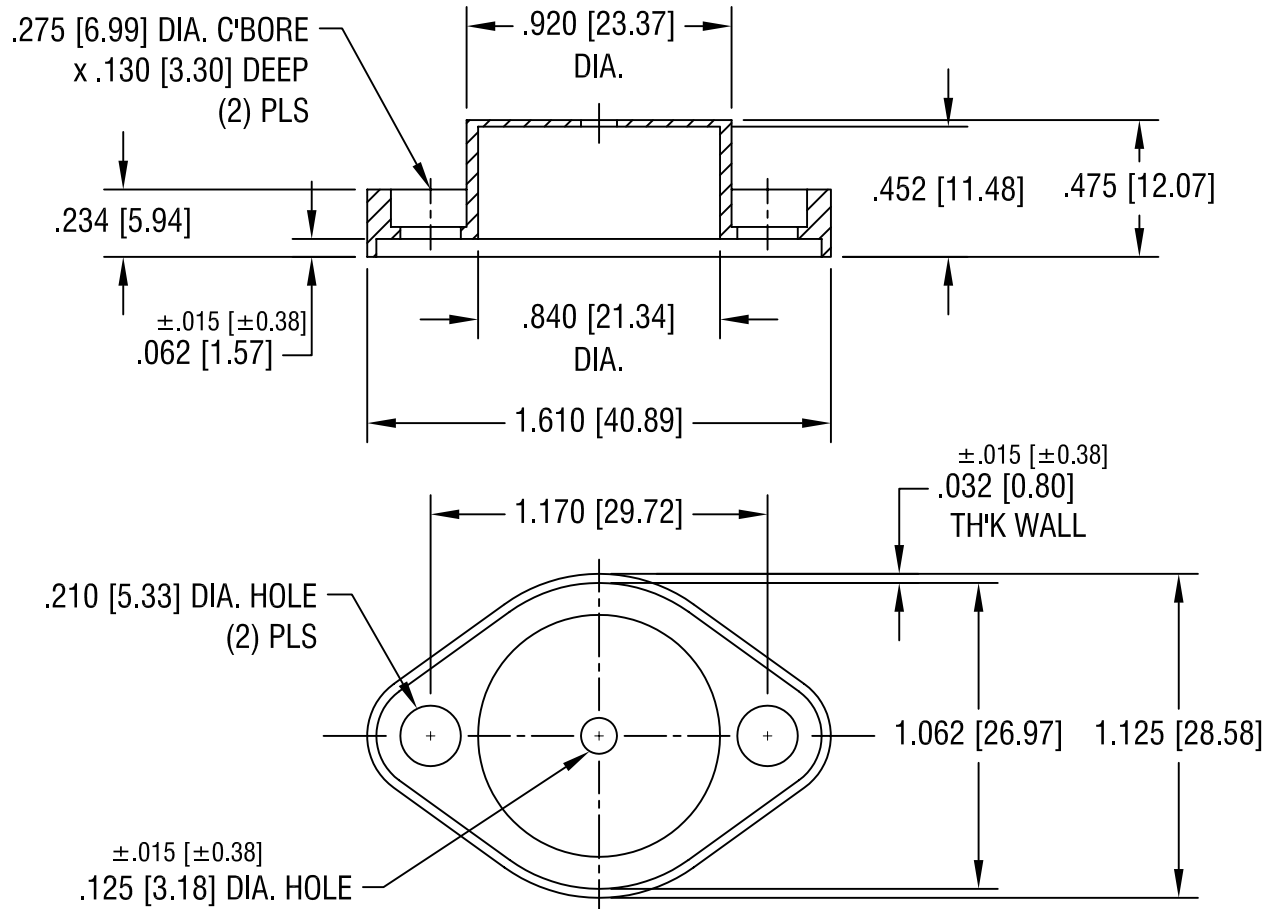


THIS DOCUMENT IS THE PROPERTY OF
KEYSTONE ELECTRONICS CORP. AND
SHALL NOT BE REPRODUCED, DISTRIBUTED
OR USED AS A BASIS FOR MANUFACTURE
WITHOUT PRIOR WRITTEN PERMISSION
FROM KEYSTONE ELECTRONICS CORP.



KEYSTONE ELECTRONICS CORP.

ASTORIA, N.Y. 11105-2017

PART NAME

TO-3 POWER TRANSISTOR COVER

MATERIAL

MOLDED NYLON

FINISH

-

DRN BY

BOONE

DATE

11.8.82

APP'D

LN

SCALE

1.5X

TOLERANCES

INCH [MM]

DECIMAL

$\pm .005 [\pm 0.15]$

ANGULAR

$\pm 1^\circ$

UNLESS OTHERWISE SPECIFIED

CODE

C/M

DWG NO.

4632

12.27.96

CHANGE AS PER ECR 96-059

B

11.22.94

CHANGE AS PER ECR 94-065

A

DATE

DESCRIPTION

REV.